



Model: All

Jun. 5, 2023

Serial #: All

Product Bulletin # TDS-242 Rev 1

Polymer Stabbing Bell Improvement

Canrig has improved the polymer stabbing bell design to minimize potential for dropped objects. The polymer stabbing bell can be subject to impacts by the drill pipe and the polymer stabbing bell material can also deteriorate or break down over time which can cause the loose pieces to separate and fall to the rig floor.

Discussion

Canrig recommends replacing existing polymer stabbing bells with an improved polymer stabbing bell design. This new part now includes an internal meshing which is designed to adhere the polymer stabbing bell material to prevent separation.

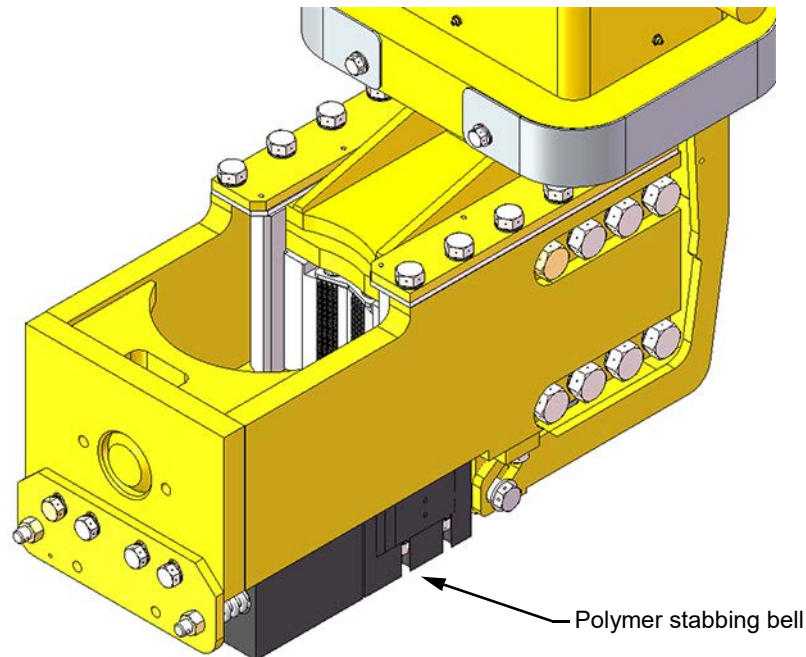


Figure 1: Polymer stabbing bell

Replacements

Refer to Table 1 on page 2 for polymer stabbing bell replacements for the polymer stabbing bells.



Model: All	Jun. 5, 2023
Serial #: All	

Table 1: Polymer Stabbing Bell P/Ns

Top Drive Model	Die Block Range	Bore Size (ID)	Part Number
750T 500T 350T 275T	5.75 – 9.00	7.42	DT21118
		8.54	DT21119
		7.75	DT21121
		7.25	DT21123
		6.70*	DT31716
		7.32	DT21128
	3.25 – 6.50	4.80	DT21115
		3.80	DT21116
		5.42	DT21117
		5.29	DT21120
	3.75 – 7.00	4.25	DT21113
		4.80	DT21115
		5.42	DT21117
		6.70*	DT31716
	2.50 – 5.75	2.70	DT21114
		4.80	DT21115
5.29		DT21120	
4.45		DT21122	
175T	4.75 – 7.00	6.70	DT21124
		5.88	DT21125
		5.50	DT21126
		4.88	DT21127
		7.32	DT21128
	2.50 – 5.00	6.70*	DT21124
		5.88	DT21125
		5.50	DT21126
		4.88	DT21127

* Denotes standard sizes

Contact Canrig Part Sales to order the replacements: part.sales@canrig.com.